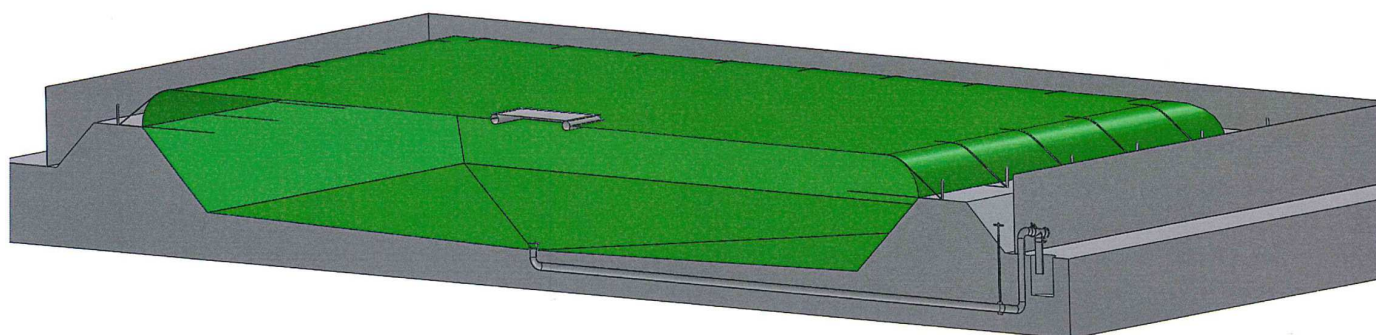
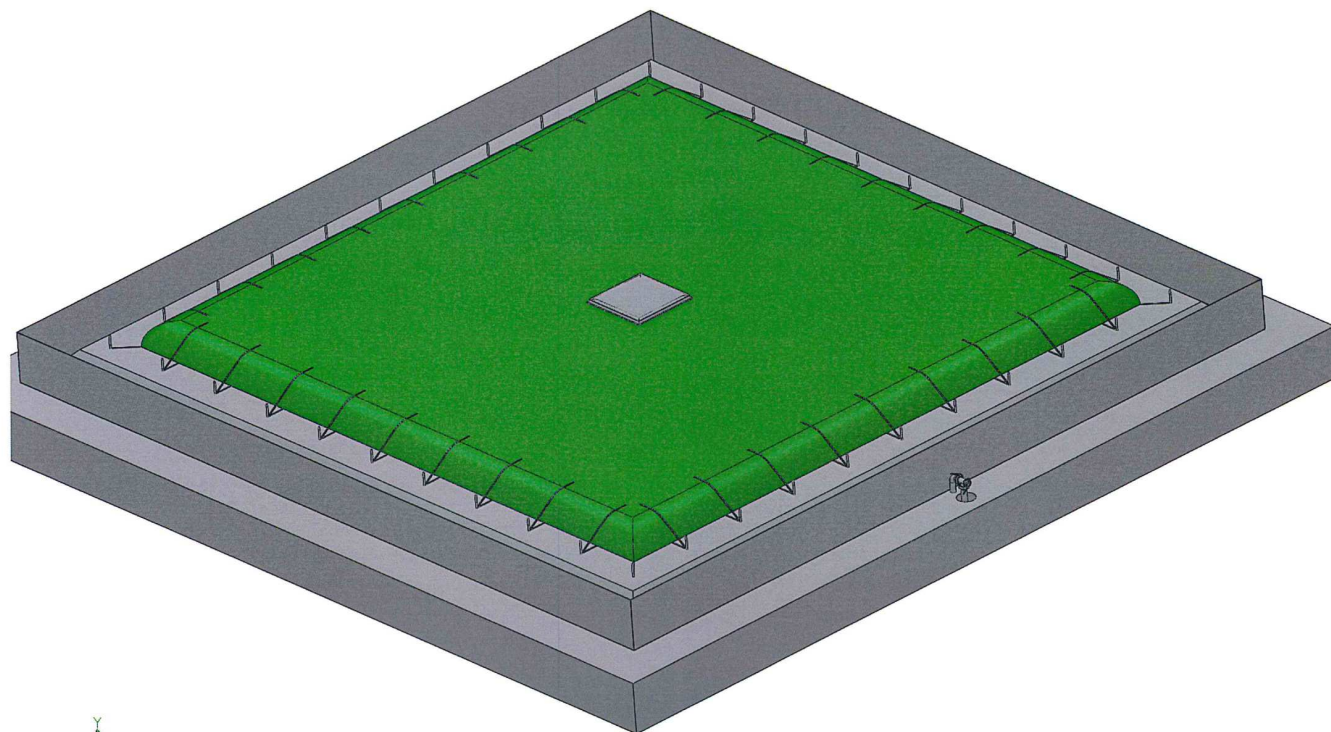
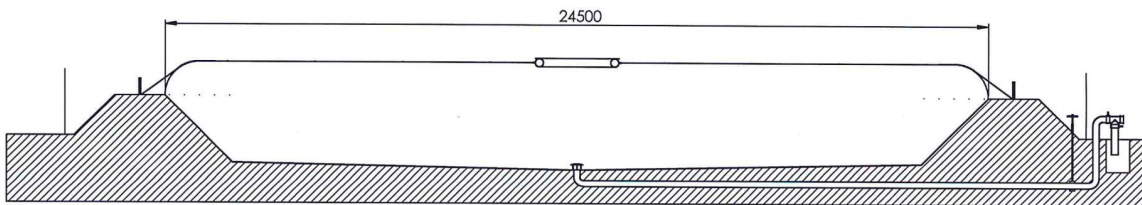
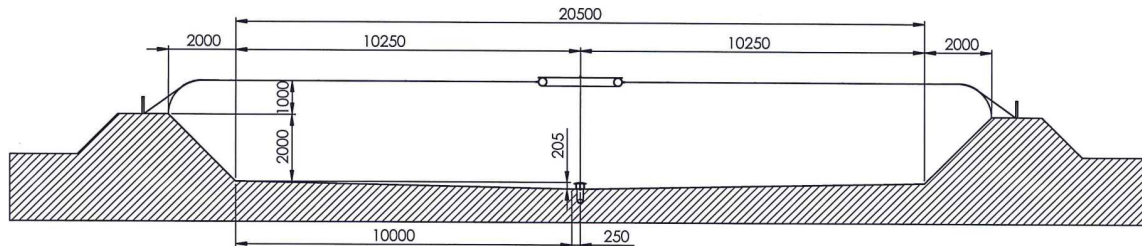


Zbiornik elastyczny Typ-ECCOBAG (do 6000 m<sup>3</sup>)

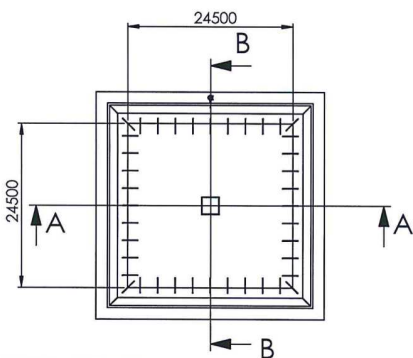





SECTION B-B  
SCALE 1 : 100



SECTION A-A  
SCALE 1 : 100



| REVISIONS |      |             |          |             |
|-----------|------|-------------|----------|-------------|
| ZONE      | REV. | DESCRIPTION | DATE     | APPROVED BY |
|           | A    | For Review  | 03-10-12 |             |

|   |   |             |                  |       |                                     |
|---|---|-------------|------------------|-------|-------------------------------------|
| <br>Third angle projection | Duplicate protection according to ISO 15016 | Scale:      | Description:     |       |                                     |
|   |   | 1:500       | Material:        |       |                                     |
| Tolerances unless otherwise stated:<br>dim. $\pm 1.0$ angle $\pm 1.0^\circ$                                 |   | Units:      | Surf. treatment: |       |                                     |
|   |   | mm          | Weight:          | gram  |                                     |
| Projectnumber:  |   |             | Name:            | Date: |                                     |
|   |   | Drawn by:   |                  |       |                                     |
|   |   | Checked by: |                  |       |                                     |
|   |   |             |                  |       | Drawingnumber:<br>12.060.001.001_02 |
|   |   |             |                  |       | Format:<br>A3<br>Rev:<br>A          |